



PLANETARY MIXER BE-10

Table-top model with 10 lt./ qt. bowl.



SALES DESCRIPTION

C models, equipped with attachment drive for accessories.

FEATURES AND BENEFITS

Professional food mixer for preparing dough (bread, cake...), egg whites (soufflés, meringue...), sauces (mayonnaise...) and minced meat mixtures.

- ✓ Powerful three-phase motor controlled by highly reliable electronic speed variator technology, which enables the mixers to be connected to a single-phase electrical mains supply.
- ✓ 0-30 minute electronic timer and continuous operation option.
- ✓ Acoustic alarm at end of cycle.
- ✓ Electronic speed control.
- ✓ Equipped with a safety guard.
- ✓ Lever operated bowl lift.
- ✓ Double micro switch for bowl position and safety guard.
- ✓ Safeties off indicator.
- ✓ Reinforced waterproofing system.
- ✓ Stainless steel legs.
- ✓ Strong and resistant bowl.
- ✓ Easy to maintain and repair.
- ✓ UNE-EN 454/2015 compliant.

INCLUDES

- ✓ Stainless steel bowl.
- ✓ Beater spatula for soft dough.
- ✓ Spiral hook for heavy dough.
- ✓ Balloon whisk.

ACCESSORIES

- Vegetable preparation attachment CR-143
- Meat mincer attachment HM-71
- Potato masher attachment P-132
- Bowls for planetary mixers



sammic | www.sammic.com
Food Service Equipment Manufacturer

Polígono Basarte, 1. phone +34 943 15 72 36
20720 Azkoitia, Spain sales@sammic.com



Project	Date
Item	Qty
Approved	

DYNAMIC PREPARATION
PLANETARY MIXERS

product sheet
updated 07/07/2020



PLANETARY MIXER BE-10

Table-top model with 10 lt./ qt. bowl.



SPECIFICATIONS

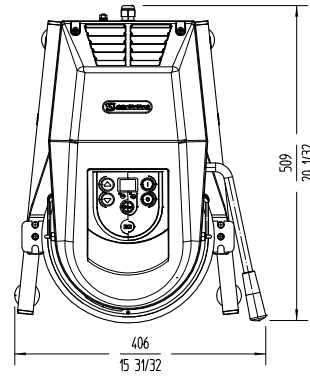
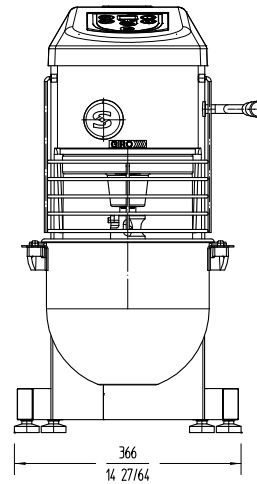
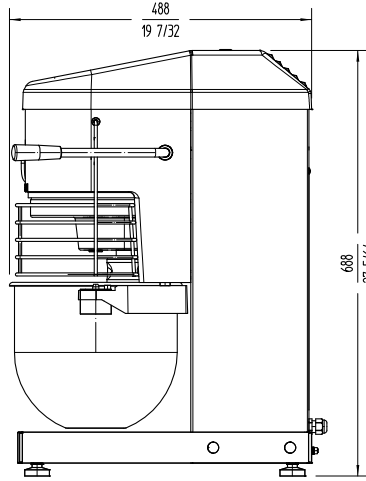
- Bowl capacity: 10l
- Bowl dimensions: 279 mm x 236 mm
- Capacity in flour (60% water): 3 Kg
- Timer (min-max): 0 ' - 30 '
- Total loading: 550/750 W

External dimensions (WxDxH)

- ✓ Width: 410 mm
- ✓ Depth: 523 mm
- ✓ Height: 688 mm
- Net weight: 44 Kg
- Noise level (1m.): <75 dB(A)
- Background noise: 32 dB(A)

Crated dimensions

- 480 x 560 x 810 mm
- Gross weight: 49 Kg.



AVAILABLE MODELS

- 1500210 Food mixer BE-10 230/50-60/1
- 1500211 Food mixer BE-10C 230/50-60/1
- 1500214 Food mixer BE-10 208-240/50-60/1
- 1500215 Food mixer BE-10 120/50-60/1
- 1500216 Food mixer BE-10C 120/50-60/1
- 1500217 Food mixer BE-10 400-440/50-60/3
- 1500218 Food mixer BE-10C 400-440/50-60/3

2509589 External loader BE-10

* Ask for special versions availability

sammic | www.sammic.com
Food Service Equipment Manufacturer

Polígono Basarte, 1. phone +34 943 15 72 36
20720 Azkoitia, Spain sales@sammic.com



Project

Date

Item

Qty

Approved